



**HOUNSFIELD
BOILERS**

Domestic Oil Fired Boilers Designed & Made in Britain



Flue options and installation guide

INTRODUCTION

Our balanced flue twin wall system is common to all boiler models, making selection of components easy whether you're installing a Kitchen, External or a wall mounted boiler, "one system fits all".

For open vented, conventional chimney systems we have a range of single wall rigid flue components combined with corrugated flexible chimney liner. The flexible liner has a secondary inner smooth skin for easy drain down of condensates it also prevents condensate penetrating the corrugated liner.

Components are manufactured using 316L stainless steel with a polished finish, seams are laser welded to provide an accurate and unobtrusive seam. Flue joints are "push-fit" utilising high grade Viton seals; they will not degrade like some.

The following pages detail some of the more typical installation options; if you're unable to find a flue system or option you require, need a bespoke system, or a even a flue painted a specific colour to accommodate listed building requirements, we're here to assist.

CONTENTS

Page	Description
2.	Boiler and flue configuration
2.	Flue assembly instructions
3.	Low level horizontal flues
4.	High level horizontal flues
5.	Vertical flues
6.	Kitchen Model plume kit
7.	External Boiler flue options
10.	Wall mounted boiler flue options
12.	Conventional open flue options
13.	Flue termination clearance requirements



1. LOW LEVEL REAR OUTLET FLUE.
KIT PT. NO. FL80LL



2. LOW LEVEL SIDE OUTLET FLUE.
KIT PT.NO. FL80LLSO



3. HIGH LEVEL ADAPTOR FOR VERTICAL AND HIGH LEVEL
FLUES ON KITCHEN AND EXTERNAL MODELS.
KIT PT. NOS. FL80HL & FL80VL



4. CONVENTIONAL FLUE ADAPTOR FOR SINGLE
WALL OPEN FLUE. KIT PT.NO. FL100CF

FLUE ASSEMBLY INSTRUCTIONS



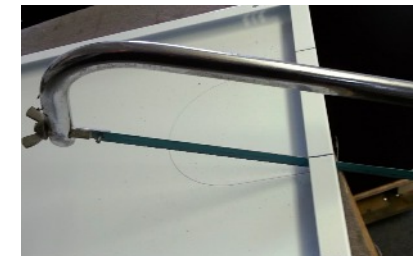
5. FLUE TRIM - APPLY GREASE TO
RUBBER SEAL SLIDE TRIM INTO
POSITION.



6. APPLY A GENEROUS AMOUNT
OF GREASE TO FEMALE SOCKETS
TO AVOID DAMAGING SEALS.

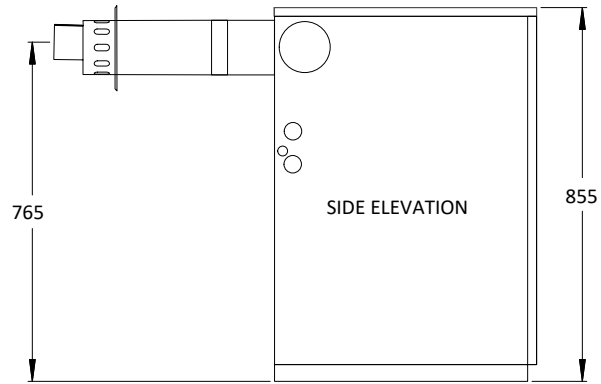


7. LOCKING BAND ASSEMBLY - FIT THE LARGER DIAMETER
OF THE BAND TO THE SOCKET / FEMALE END.



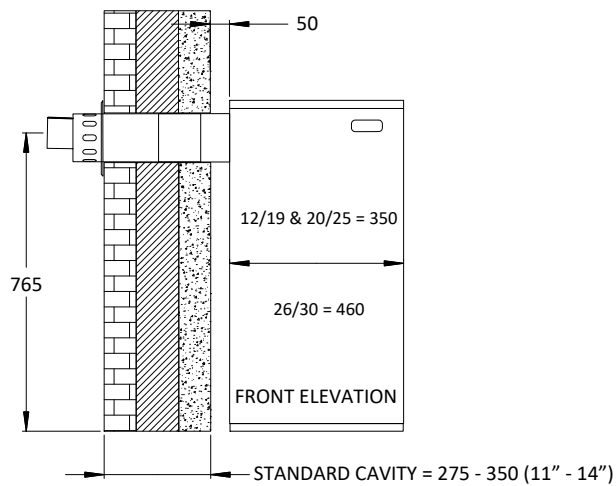
8. HIGH LEVEL FLUE INSTALLATION,
CUT MICRO JOINTS, TWIST BLANKING
PANEL TO REMOVE. CUT ROCKWOOL
INSULATION TO SUIT.

LOW LEVEL HORIZONTAL - REAR OUTLET KIT



REAR OUTLET - WALL THICKNESS RANGE	
STANDARD KIT	275 - 450 MM
WITH A TELESCOPIC EXTENSION	450 - 750 MM

LOW LEVEL HORIZONTAL - SIDE OUTLET KIT



SIDE OUTLET - WALL THICKNESS RANGE		
WITH 50 MM TO THE SIDE OF CASING		
STANDARD KIT	12/19 & 20/25 BOILERS	280 - 375 MM
	26/30 BOILER	280 - 325 MM

PT. NO. FL80LL, LOW LEVEL HORIZONTAL KIT COMPONENTS:

PT.NO.	DESCRIPTION	IMAGE	KIT INCLUDES
FL80LLTERM	LOW LEVEL - REAR OUTLET		1
FL80TRIM	FLUE TRIM PLATE		1

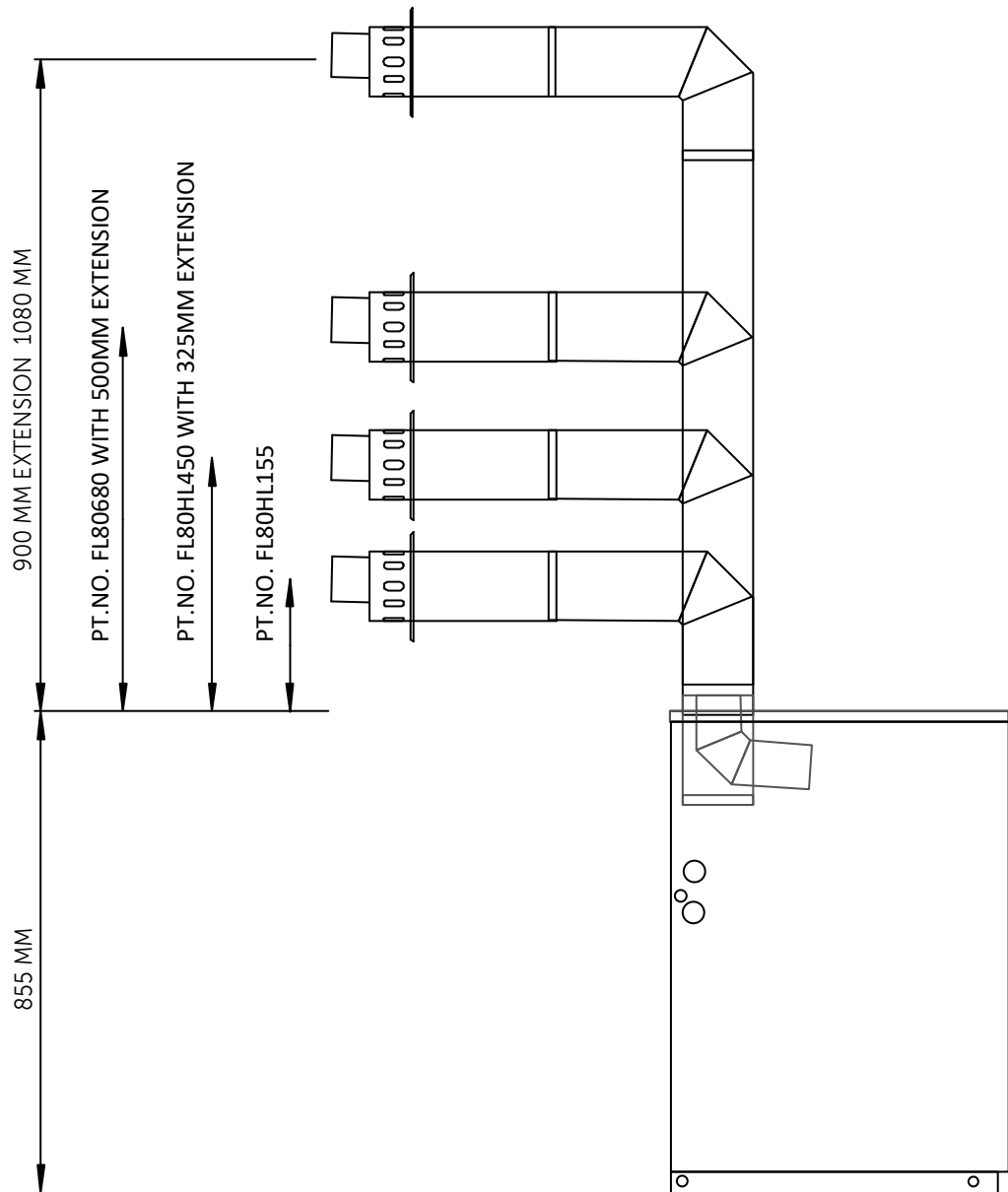
PT. NO. FL80LLSO, LOW LEVEL HORIZONTAL SIDE OUTLET COMPONENTS:











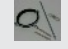
PT.NO.	DESCRIPTION	IMAGE	KIT INCLUDES
FL80LLSOT	LOW LEVEL - SIDE OUTLET		1
FL80TRIM	FLUE TRIM PLATE		1

OPTIONAL COMPONENTS

FL125FTG	KITCHEN FLUE GUARD KIT		
FL80X900	900 MM T.W. EXTENSION		
FL80X500	500 MM T.W. EXTENSION		
FL80X325	325 MM T.W. EXTENSION		
FL80TEL	50-250 TELESCOPIC T.W. EXTENSION		
FL125LB	125 MM LOCKING BAND		

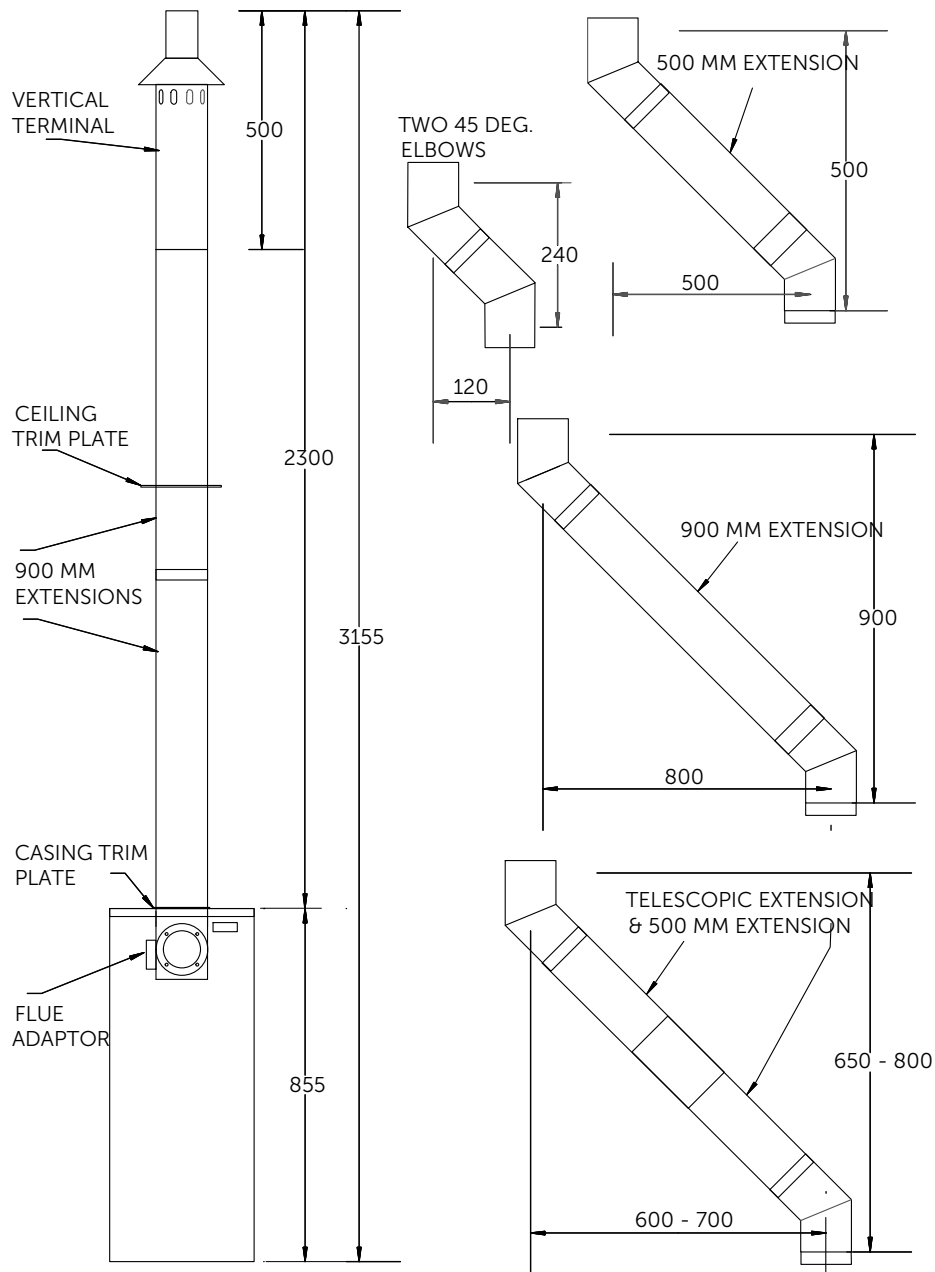
HIGH LEVEL HORIZONTAL PT. NO. FL80HL (REAR OR SIDE OUTLET)



PT.NO.	DESCRIPTION	IMAGE	STD. KIT INCLUDES
FL80HLT	HIGH LEVEL TERMINAL		1
FL80HLADA	HIGH LEVEL ADAPTOR		1
FL80X900	900 MM T.W. EXTENSION		1
PW20010	WHITE CASING TRIM PLATE		1
FL80TRIM	FLUE TRIM PLATE		1
OPTIONAL COMPONENTS			
FL80X900	900 MM T.W. EXTENSION		
FL80X500	500 MM T.W. EXTENSION		
FL80X325	325 MM T.W. EXTENSION		
FL80TEL	50-250 TELESCOPIC T.W. EXTENSION		
FL125LB	125 MM LOCKING BAND		
FL125CL	125 MM PIPE SUPPORT KIT		

WALL THICKNESS RANGE		
REAR OUTLET		SIDE OUTLET ORIENTATION
STANDARD KIT	280 - 355 MM	WITH A TELESCOPIC EXTENSION AND 50 MM CLEARANCE TO THE BOILER SIDE, 280 MM - 450 MM.
WITH A TELESCOPIC EXTENSION	450 - 625 MM	

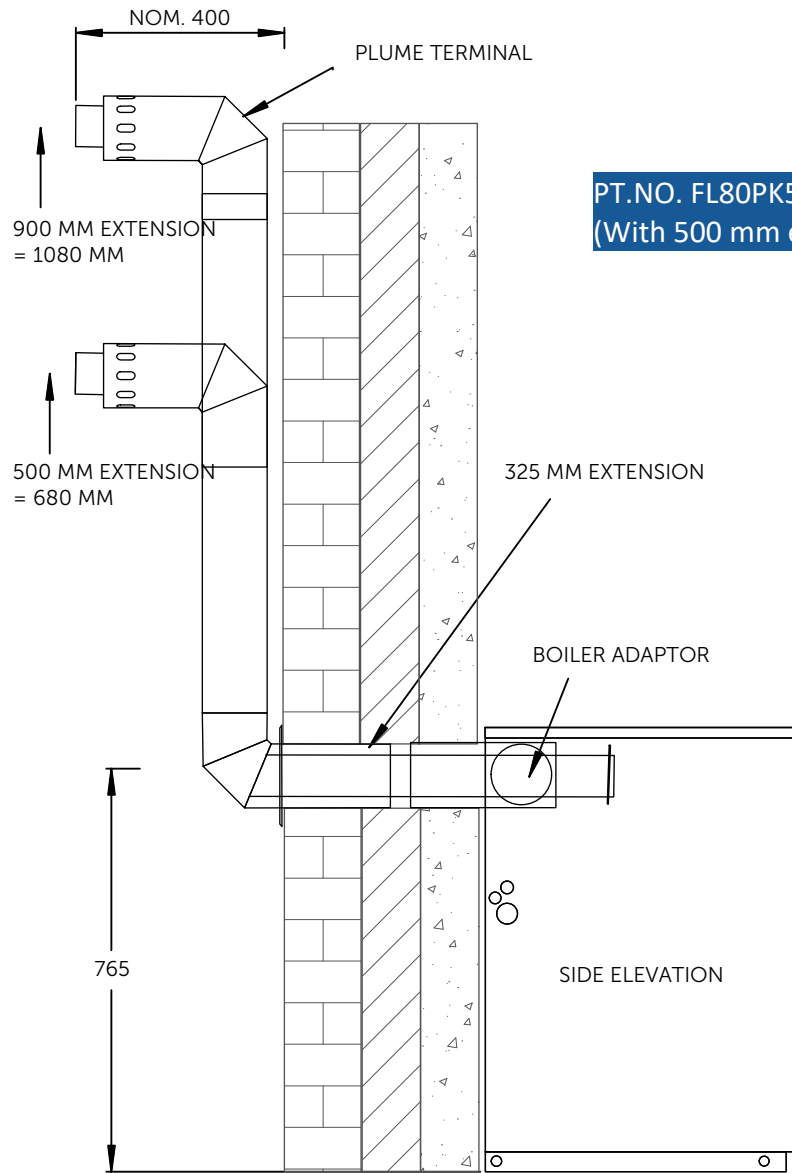
VERTICAL BALANCED FLUE PT. NO. FL80V



PT. NO.	DESCRIPTION	IMAGE	STD. KIT INCLUDES
FL80VT	VERTICAL TERMINAL		1
FL80HLADA	HIGH LEVEL ADAPTOR		1
FL80X900	900 MM T.W. EXTENSION		2
PW20010	WHITE CASING TRIM PLATE		1
FL125LB	125 MM LOCKING BAND		3
FL80TRIM	FLUE TRIM PLATE		1
OPTIONAL COMPONENTS			
FL80X900	900 MM T.W. EXTENSION		
FL80X500	500 MM T.W. EXTENSION		
FL80X325	325 MM T.W. EXTENSION		
FL80TEL	50-250 TELESCOPIC T.W. EXTENSION		
FL80-45ELB	45 DEGREE ELBOW		
FL125FPIT	PITCHED ROOF FLASHING		
FL125FLA	FLAT ROOF FLASHING KIT		
FL125LB	125 MM LOCKING BAND		
FL125CL	125 MM PIPE SUPPORT KIT		

KITCHEN MODEL - BALANCED FLUE PLUME KIT

PT.NO. FL80PK900

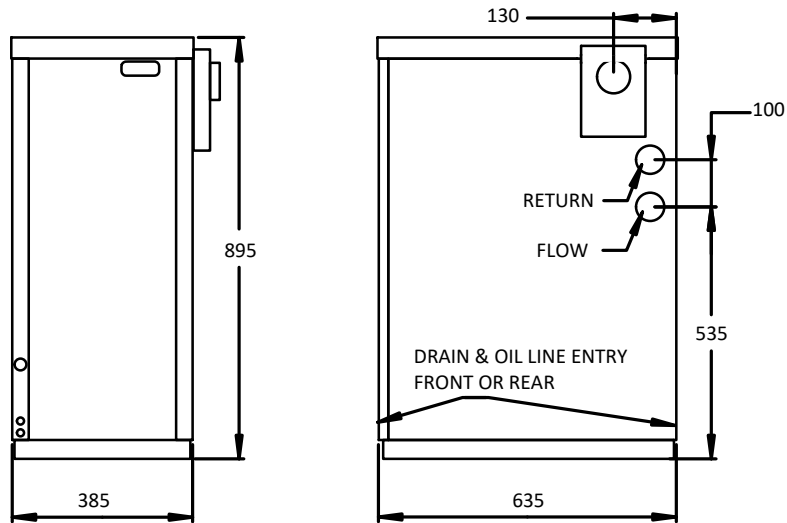


**PT.NO. FL80PK500
(With 500 mm extension)**

STANDARD KIT = 275 - 400 MM WALL THICKNESS

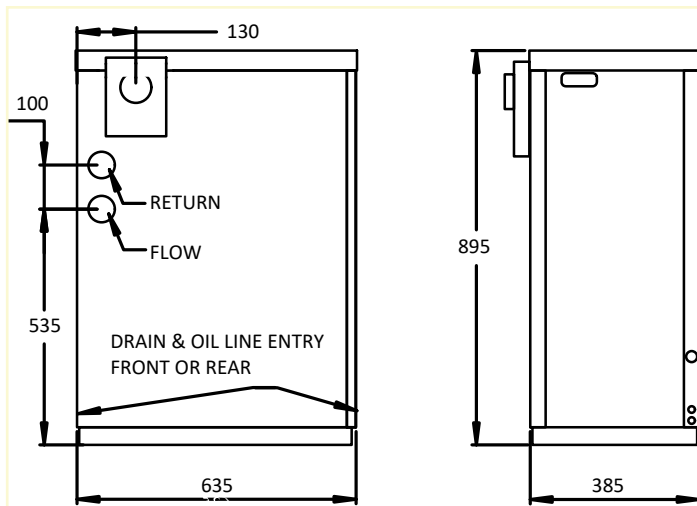
PT. NO.	DESCRIPTION	IMAGE	KIT INCLUDES
FL80PT	PLUME TERMINAL		1
FL80LLADA	BOILER ADAPTOR		1
FL80X900	900 MM T.W. EXTENSION		1
FL80X325	325 MM T.W. EXTENSION		1
FL80-90ELB	90 DEGREE ELBOW		1
FL125LB	125 MM LOCKING BAND		3
FL125CL	125 MM PIPE SUPPORT KIT		2
FL80TRIM	FLUE TRIM PLATE		1
OPTIONAL COMPONENTS			
FL80X900	900 MM T.W. EXTENSION		
FL80X500	500 MM T.W. EXTENSION		
FL80X325	325 MM T.W. EXTENSION		
FL80TEL	50-250 TELESCOPIC T.W. EXTENSION		
FL80-45ELB	45 DEGREE ELBOW		
FL80-90ELB	90 DEGREE ELBOW		
FL80VT	VERTICAL TERMINAL		
FL125LB	125 MM LOCKING BAND		
FL125CL	125 MM PIPE SUPPORT KIT		

EXTERNAL BOILER - LOW LEVEL FLUE OPTIONS

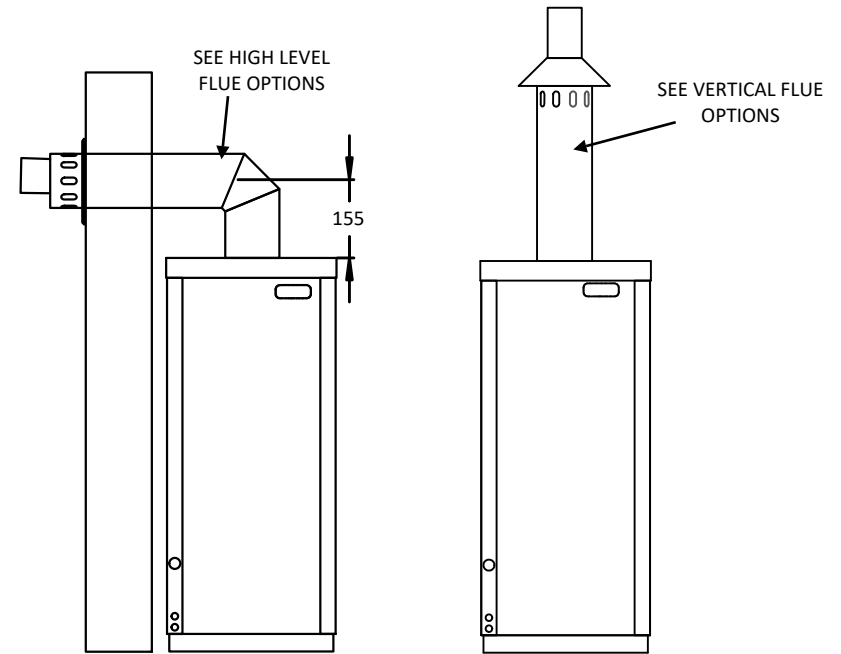


RIGHT SIDE LOW LEVEL FLUE

IMPORTANT: Boilers are supplied with right side flue as shown above, (as brochure Photograph). If left side flue is required please specify when ordering.

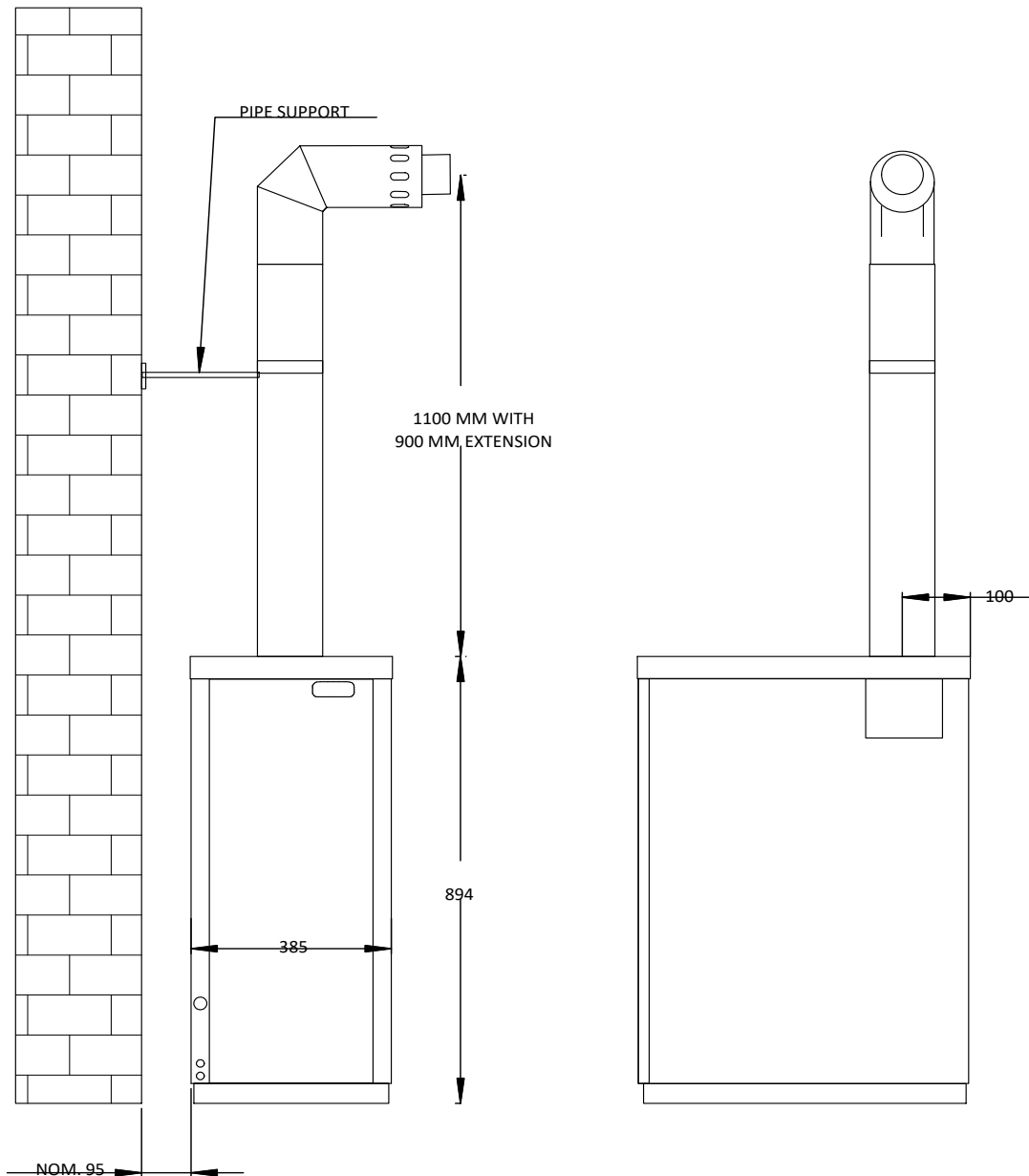


LEFT SIDE LOW LEVEL FLUE

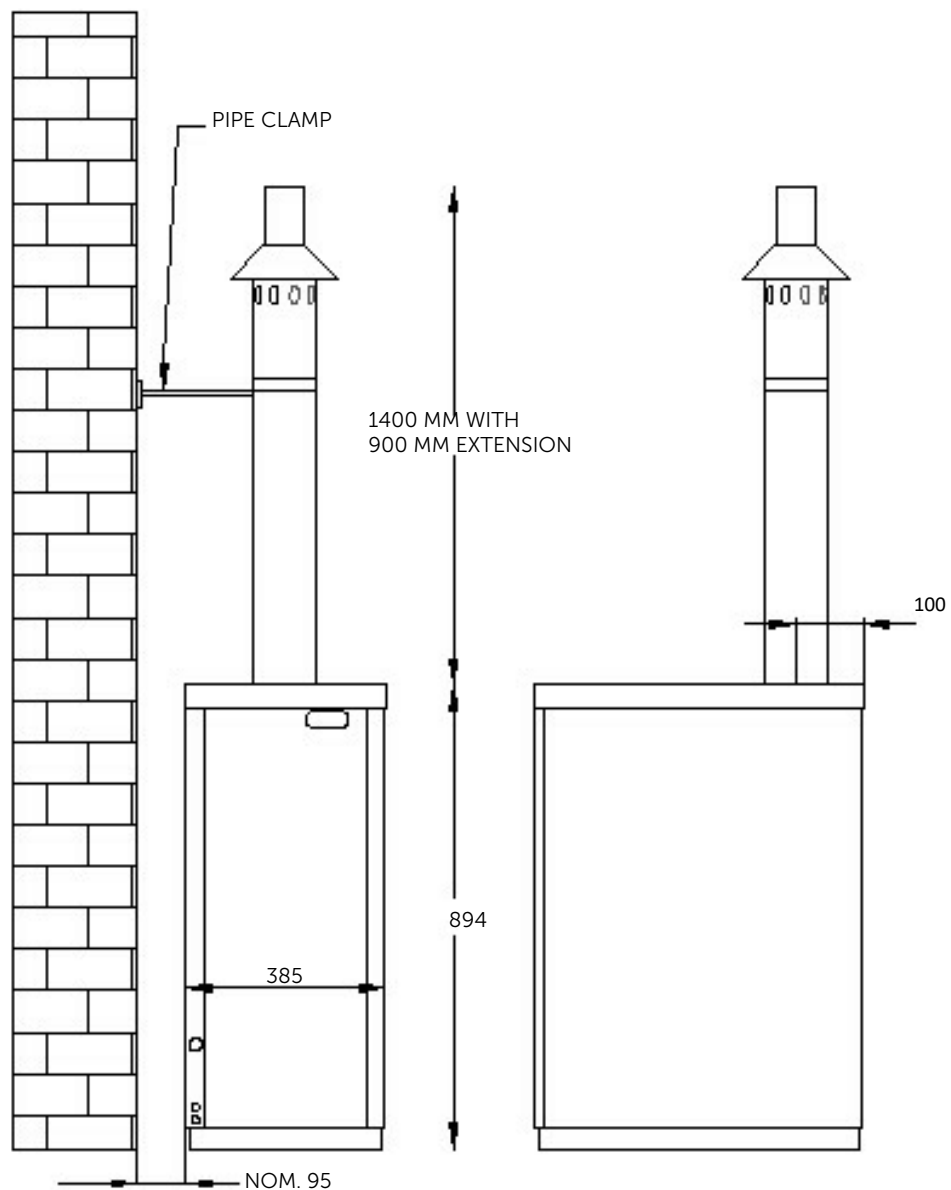


FLUE OPTIONS

The external boiler with top outlet flue option, ideally suited for installation in out-buildings. Flue options are as Kitchen Model Boilers.

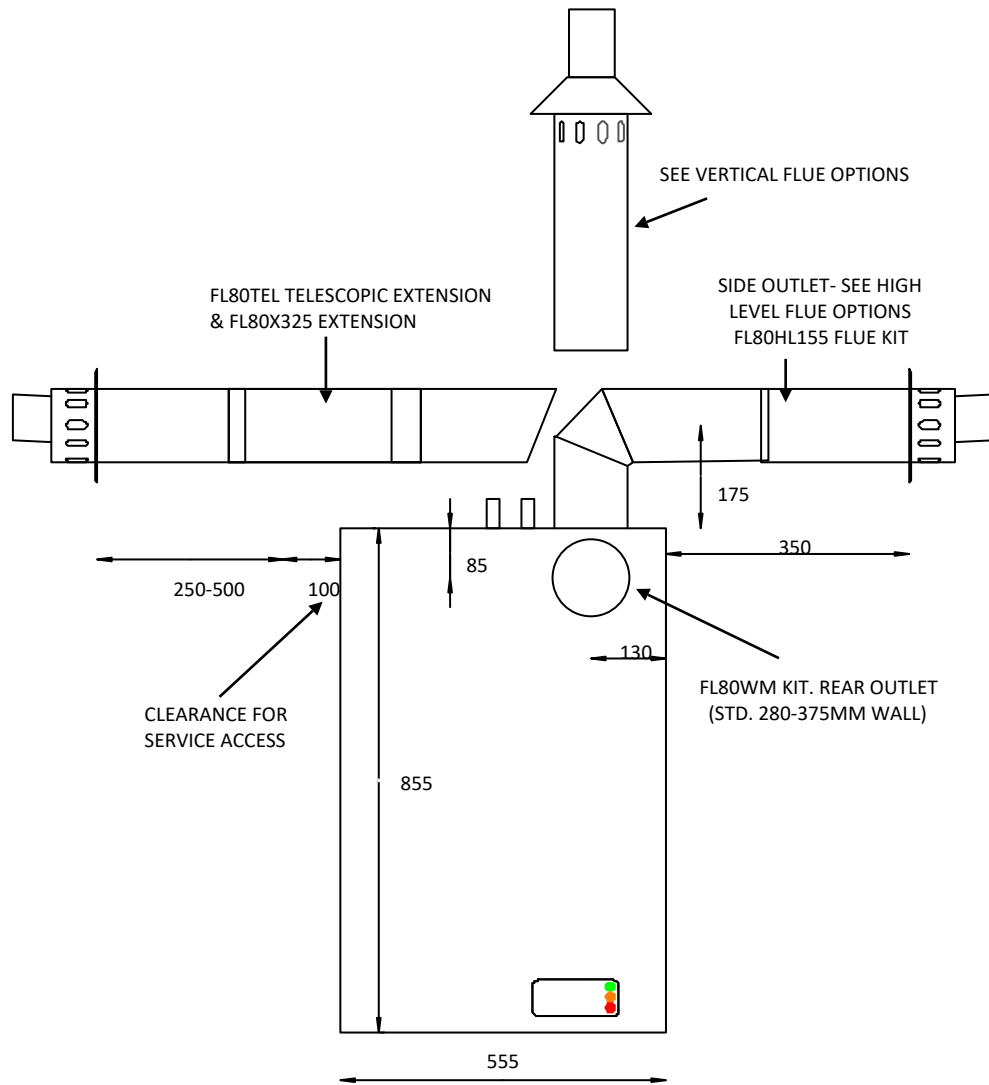


PT.NO.	DESCRIPTION	IMAGE	KIT INCLUDES
FL80PT	PLUME TERMINAL		1
FL80HLADA	HIGH LEVEL ADAPTOR		1
FL80X900	900 MM T.W. EXTENSION		1
FL125LB	LOCKING BAND		1
FL80TRIM	FLUE TRIM PLATE		1
FL125CL	125 MM PIPE SUPPORT KIT		1
OPTIONAL COMPONENTS			
FL80X900	900 MM T.W. EXTENSION		
FL80X500	500 MM T.W. EXTENSION		
FL80X325	325 MM T.W. EXTENSION		
FL80TEL	50-250 TELESCOPIC T.W. EXT.		
FL80-45ELB	45 DEGREE ELBOW		
FL80-90ELB	90 DEGREE ELBOW		
FL125LB	125 MM LOCKING BAND		
FL125CL	125 MM PIPE SUPPORT KIT		





PT.NO.	DESCRIPTION	IMAGE	KIT INCLUDES
FL80VT	VERTICAL TERMINAL		1
FL80HLADA	HIGH LEVEL ADAPTOR		1
FL80X900	900 MM T.W. EXTENSION		1
FL125LB	125 MM LOCKING BAND		1
FL80TRIM	FLUE TRIM PLATE		1
FL125CL	125 MM PIPE SUPPORT KIT		1
OPTIONAL COMPONENTS			
FL80X900	900 MM T.W. EXTENSION		
FL80X500	500 MM T.W. EXTENSION		
FL80X325	325 MM T.W. EXTENSION		
FL80TEL	50-250 TELESCOPIC T.W. EXTENSION		
FL80-45ELB	45 DEGREE ELBOW		
FL125FPIT	PITCHED ROOF FLASHING		
FL125FLA	FLAT ROOF FLASHING KIT		
FL125LB	125 MM LOCKING BAND		
FL125CL	125 MM PIPE SUPPORT KIT		




INTERNAL WALL MOUNTED BOILER FLUE OPTIONS





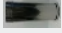


PT. NO. FL80WM, REAR OUTLET HORIZONTAL KIT COMPONENTS:

PT.NO.	DESCRIPTION	IMAGE	KIT INCLUDES
FL80LLSO	LOW LEVEL - REAR OUTLET		1
FL80TRIM	FLUE TRIM PLATE		1

PT. NO. FL80HL155

PT.NO.	DESCRIPTION	IMAGE	KIT INCLUDES
FL80HLT	HIGH LEVEL TERMINAL		1
FL80HLADA	HIGH LEVEL ADAPTOR		1
FL80TRIM	FLUE TRIM PLATE		1

OPTIONAL COMPONENTS

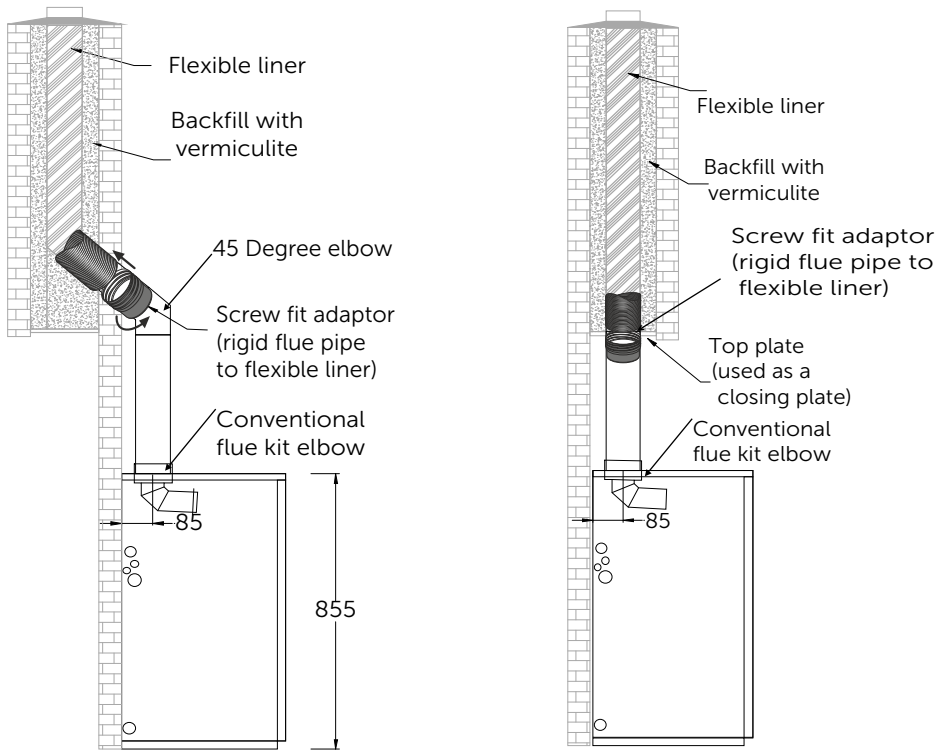
FL125LB	125 MM LOCKING BAND		
FL80X900	900 MM T.W. EXTENSION		
FL80X500	500 MM T.W. EXTENSION		
FL80X325	325 MM T.W. EXTENSION		
FL80TEL	50-250 TELESCOPIC T.W. EXTENSION		

IMPORTANT:

It is essential to upgrade an existing flue system when replacing an old boiler; flue temperatures on a modern boiler are considerably lower and will not heat the chimney, as a result condensation will form and may penetrate brickwork or drain back into the boiler causing internal corrosion (on a non-condensing boiler).

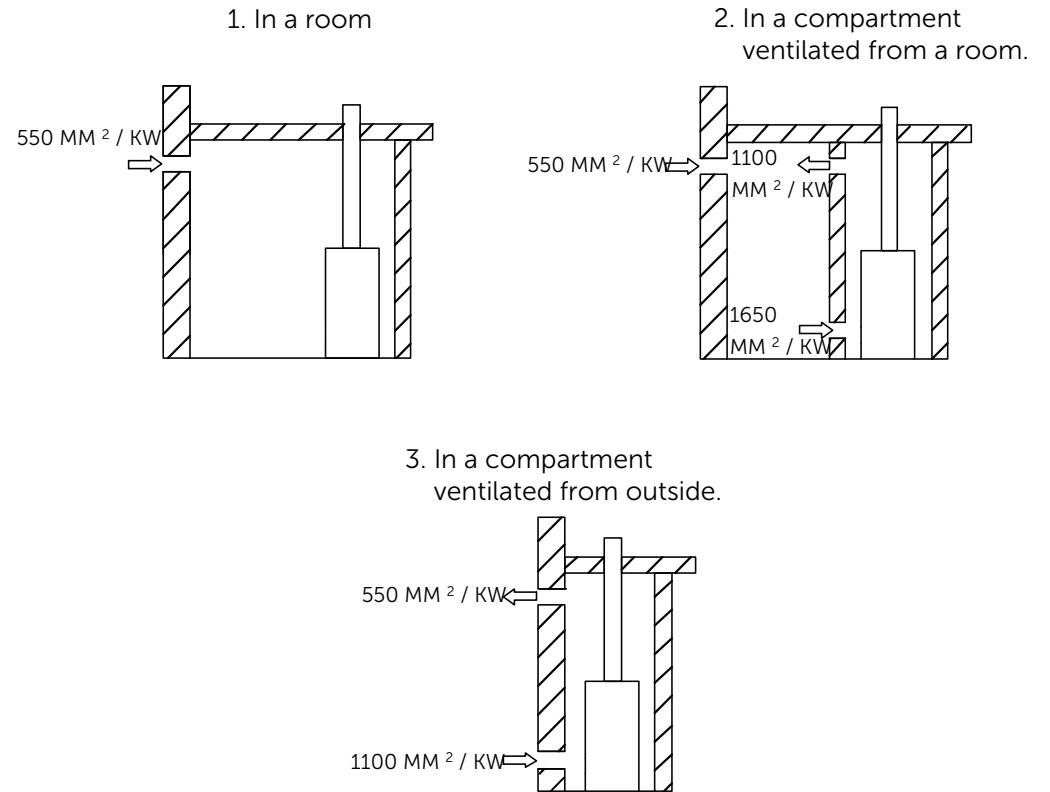
Existing flexible corrugated liners must also be replaced; they will not be twin walled as detailed in the diagram below, condensation will penetrate the liner.

TYPICAL INSTALLATIONS



COMBUSTION AND VENTILATION AIR SUPPLY

Air supply requirements for combustion and ventilation, consideration must also be given to air supply required for extractor fans.



FLAUNCHED CHIMNEY STACK

Top insert.

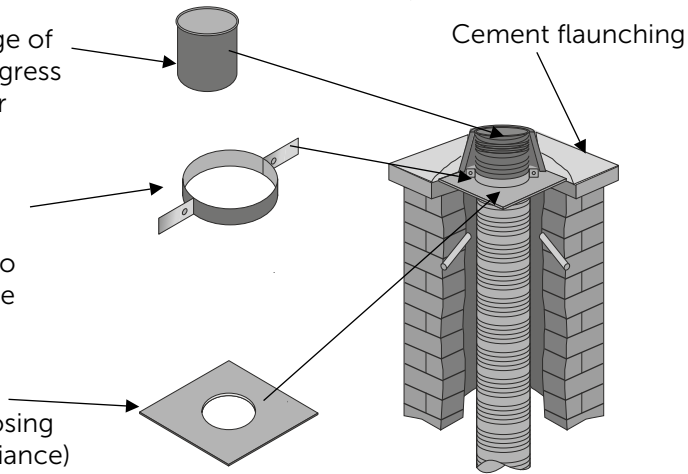
(Protects the cut edge of the liner from rain ingress with a lip to allow for cement flaunching.)

Top clamp

(used in conjunction with the "top plate" to secure the liner at the top of the stack)

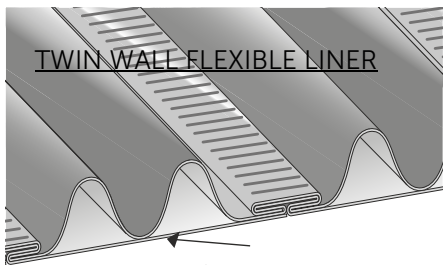
Top plate

(can be used as a closing plate above the appliance)



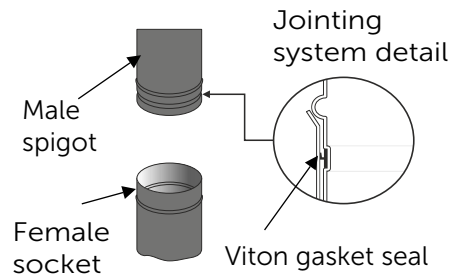
CHIMNEY POTS

Chimney pot cowl
An integral cowl with screw-on fixing to liner, Secured to chimney with a and wrap round stainless steel band.



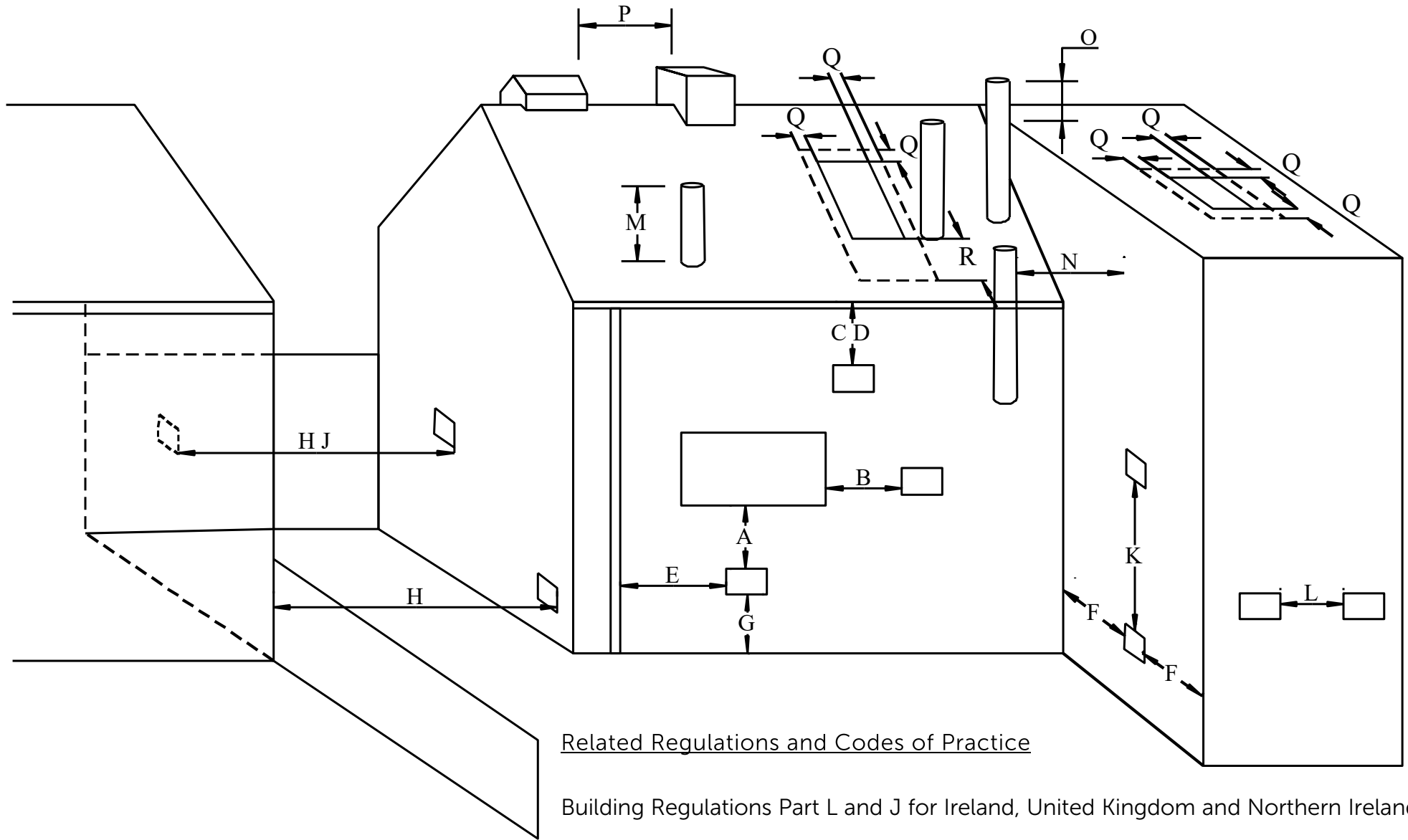
Smooth Inner skin allows for easy drain down of condensates.

RIGID FLUE PIPE SYSTEM



PT. NO.	DESCRIPTION	IMAGE	REQUIRED
FL100CF	CONVENTIONAL FLUE ADAPTOR KIT (FITTED TO BOILER)		1
FL100X200	100 MM O/D X 200 S.W. PIPE		
FL100X450	100 MM O/D X 450 S.W. PIPE		
FL100X950	100 MM O/D X 950 S.W. PIPE		
FL100TEL	100 MM O/D TELESCOPIC PIPE 40-400 RANGE (SEE NOTE BELOW)		
FL100-45ELB	100 MM 45 DEGREE ELBOW		
FL100TP	100 MM TOP PLATE (USE FOR FLAUNCHED CHIMNEY)		
FL100SA	100 MM SCREW FIT ADAPTOR		
FL100TC	100 MM TOP CLAMP (USE FOR FLAUNCHED CHIMNEY)		
FL100TI	100 MM TOP INSERT (USE FOR FLAUNCHED CHIMNEY)		
FL100CC	100 MM CHIMNEY POT COWL		
FL100CL	100 MM PIPE SUPPORT KIT		
FL100LIN	100 MM TWIN WALL LINER PER METRE		

NOTE. THE TELESCOPIC EXTENSION SLIDES INTO THE PIPE BELOW, THIS COMPONENT IS NOT LOAD BEARING



Related Regulations and Codes of Practice

Building Regulations Part L and J for Ireland, United Kingdom and Northern Ireland.

BS5410 Part 1 2014 Code of Practice for Oil Firing.

Dimension	Terminal position	Building Regs. Doc J	Code of Practice BS5410 2014
		Mandatory	Advisory
A	Directly below an opening, air brick, window etc.	600	1000
B	Horizontally to an opening, air brick, window etc.	600	1000
C	Below a gutter, eaves or balcony with protection	75	1000
D	Below a gutter or balcony without protection	600	1000
E	From vertical sanitary pipe work	300	
F	From an internal or external corner	300	
G	Above ground or balcony level	300	
H	From a surface or boundary facing a terminal	600	2500
J	From a terminal facing the terminal	1200	
K	Vertically from a terminal on the same wall	1500	
L	Horizontally from a terminal on the same wall	750	
M	Above the highest point of an intersection with the roof	600	
N	From a vertical structure to the side of the terminal	600	
O	Above a vertical structure less than 750mm from the side of the terminal	600	
P	From a ridge terminal to a vertical structure on the roof	1500	
Q	Above or to the side of any opening on a flat or slopping roof	300	
R	Below any opening on a slopping roof	1000	

IMPORTANT:

It is mandatory for flue terminals to be sited in accordance with the requirements of Building Regulations Approved Document J; these requirements are specified for safety reasons and must always be followed. The more stringent requirements detailed in BS5410 2014 are advisory and are for reference in the absence of manufacturers instructions, they are intended to ensure that plume from wet flue products do not impinge on, or significantly affect the use of the householders' dwelling and also reduce the possibility of nuisance to neighbouring buildings. We advise the use of Document J distances unless of course there are likely to be issues as noted above whereon terminals should be relocated or reconfigured. Distances are measured in the direction of the flue terminal, a suitable flue diverter may provide a resolution for awkward installations.

Notes.

1. Dimension C above, where a terminal is less than 600mm from gutters, eaves or balcony a heat shield at least 750mm wide should be fitted to protect surfaces.
2. Dimension Q above, applies to England only, for other regions the requirement is 600 mm.
3. If the lowest part of the terminal is less than 2m above the ground or other place to which any person has access, a terminal guard must be installed.
4. Terminals should be positioned so as to avoid products of combustion accumulating in stagnant pockets around the building or entering into buildings.
5. Terminating positions must be at least 1.8 metres from oil tanks in the absence of a suitable fire barrier.
6. Where a flue terminates near the boundary of a property, consideration should be given to possible noise disturbance as some people are sensitive even to low noise levels.
8. Avoid flue terminating positions where PVC windows, doors or decorative patio slabs are directly below the terminal; over time products of combustion may cause staining.

