



Hounsfield Boilers

At the heart of every good heating system



Tuscan External - all the benefits you expect with a Hounsfield Boiler plus

- ✓ Visible boiler status lights.
- ✓ High level & vertical balanced flue options.
- ✓ Integral low level balanced flue.
- ✓ Frost stat. sensing water temp.
- ✓ Stainless steel casing fasteners



Tuscan External Condensing Oil Boiler



Reduce Your Heating Costs.....

Independently tested by BSRIA to European Boiler Efficiency Regulations, Tuscan condensing boilers have full load efficiencies of up to 97%. That's up to 20% more efficient than an existing traditional boiler and potentially a 20% reduction in your fuel bills!

Free 5 Year Warranty.....

We are so confident in the quality of our product we guarantee all the components for **5 YEARS**, of course with the exception of service items. We'll also send you a **warranty certificate and an annual reminder** when it's time to get your boiler serviced. We don't sell and forget!

Simplicity, the ultimate sophistication.....

For the homeowner, a smart wipe-clean casing with child-proof controls. For the installer and service engineer, a simple uncluttered design providing easy access for installation and service.

Thank you....

For taking the time to review this brochure, you're one step nearer to finding out about a boiler manufacturer with a difference.

We've combined our years of experience in listening to homeowners and installers with our experience in the oil fired boiler industry to develop the Tuscan range.

If you require additional information take a look at our web site, email or call us directly on 0845 680 8153.

Andrew Hounsfield
Managing Director
andrew@hounsfieldboilers.co.uk
www.hounsfieldboilers.co.uk



Designed without compromise.....

A stainless steel fuel supply line for the burner; just one example that reflects our policy of building product designed to last the test of time, in turn keeping whole-life running costs to a minimum.

Made in Britain.....

We've been granted the use of the "Made in Britain" logo. Tuscan Boilers are manufactured at our premises near Stowmarket in Suffolk the majority of our key suppliers based in East Anglia the exception being the burner, made in Sweden, by a British owned Company established in 1948.

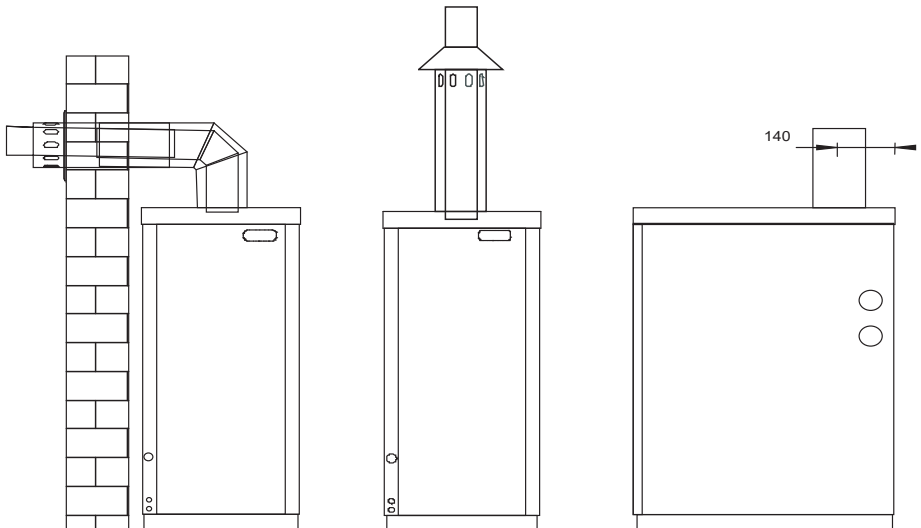
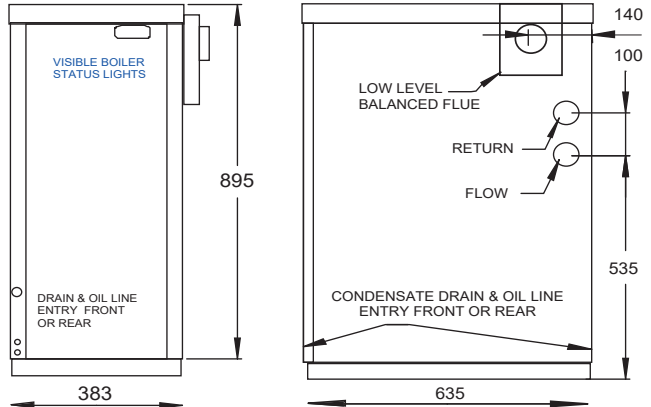
TECHNICAL SPECIFICATION AND FLUE OPTIONS

BALANCED FLUE OPTIONS

The Tuscan External boiler range is unique for an external boiler in having a true “balanced flue” system, thereby maintaining clean and efficient combustion whatever prevailing site or wind conditions may be.

Our vertical and high level flue systems, provide greater flexibility when it comes to locating an external boiler and is ideal for example for installation in outbuildings.

Low level balanced flue
Standard right hand side.
Specify when ordering
if LHS flue is required. .



High level balanced flue
Component options as
Tuscan white cased model

Vertical balanced flue
Component options as
Tuscan white cased model

TECHNICAL SPECIFICATION

Tuscan condensing boilers are SEDBUK band A rated								
Part No.	Model	Condensing	Output kW	Output BTU/hr x 1000	Full load efficiency %	Water connections		
						Flow	Return	Drain
TE 12-19	12-19	yes	12-19	41-65	96-97	3/4" BSP	22 mm	21.5 mm
TE 20-25	20-25	yes	20-25	68-85	96-97	3/4" BSP	22 mm	21.5 mm

A combination of unique features you won't find elsewhere:

Visible boiler status neons... communicates boiler status to the home owner and boiler engineer.

Frost thermostat.... that senses water temperature rather than air temperature, prevents unnecessary boiler ignition.

Press and hold.... test switch avoids the hassle associated with a switch left in the "test" position.

A true "balanced flue".... system eliminates combustion problems associated with exhaust pipe outlets.

High level balanced flue options.... make the boiler ideal for installation in outbuildings.

Adjustable feet.... makes levelling the boiler easy and also provides ground clearance in order to prevent corrosion of the casing.

Front or rear side entry.... options for oil, fire valve and condensate drain services, provides optimum installation flexibility.

Make sure the boiler you choose for your home ticks the right boxes!

- Paper element filter*** included, with 10 mm pipe fittings, oil isolation valve and all the fittings inside the casing (worth circa £45).
- Stainless steel braided flexible oil line....** with a Teflon core provides life-long service.
- Five year warranty....** on all components** there is no associated manufacturer based service contract or extended warranty cost.
- Tiger loop required.... not** with Tuscan Boilers, reduces installation costs by circa £85 and associated future maintenance.
- Plug in....** mains power and burner leads - makes installation and servicing the boiler easy.
- Stainless steel fasteners....** for the casing, compliment a tough weatherproof casing, painted inside and out for added protection.
- 383 mm wide....** just 635 mm deep, combined with a brown casing ensures minimal visual impact.
- Boiler status neons....** visible through the front casing for power, lock-out and limit thermostat, clearly communicate boiler status.
- A neon....** to indicate when the high limit thermostat has tripped - saves calling out an engineer to push the reset button.
- Water ways....** in the base and top of the primary exchanger, a design that produces highly efficient small boilers.
- Insulation....** of the casing and heat exchanger with 45kg/sq.mtr. density Rockwool ensures standby heat loss is minimised.
- Bentone burner....** designed for condensing technology with the added benefit of low life time costs compared to other burners.
- Heat exchanger material....** 3 & 4 mm steel with 1 mm stainless steel baffles in the condenser ensures rigid serviceable components.

* our paper element filters have a 15 micron filtration rate, gauze filters commonly used are 100 microns, they do not adequately protect highly tolerated components within the burner.

** with the exception of service items.